



INSTALLATION INSTRUCTIONS ALUMINUM SLIDING DOORS

The Best Is Always Superior™

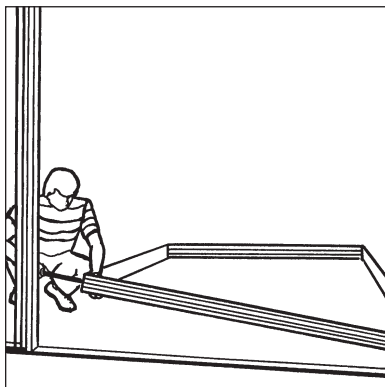
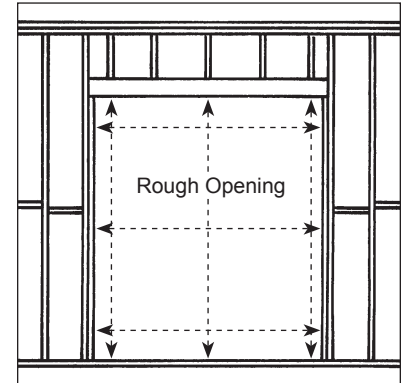
NAIL-ON FIN APPLICATION

Please read all instructions before beginning the installation.

Superior recommends using a professionally trained installer to install this door. The installer should be familiar with all relevant building codes and regulations. These instructions are to be used as a guide. Actual conditions may change the installation process. Failure to properly install the door may void the warranty and result in damage to the door, as well as, the surrounding walls and floors.

PREPARATION

Verify that the door will fit the opening by double checking all measurements. The opening should be approximately 1/2" larger than the door frame's actual width and height. Check to make sure the opening is square, level and plumb. Fill in any low spots in the sill area and even out any high spots. All sealants that are used in this installation should be a high quality exterior grade elastomeric sealant.



1

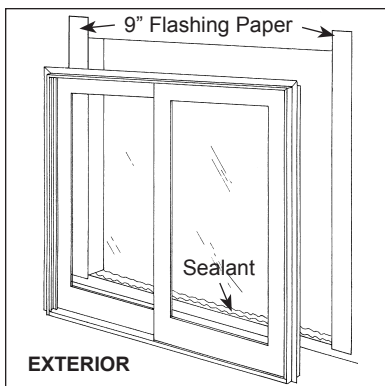
FRAME ASSEMBLY

Assemble the head and sill between jambs. Align holes in jamb with the screw slots in the head and sill. Fasten with #8 x 1" sheet metal screws (DIAGRAM 1). Exterior side of each of the four corners should be sealed.

NOTE: Insulate door frame from corrosive materials by applying a non-corrosive barrier between door frame and corrosive materials to protect from the possibility of electrolysis occurring.

FRAME INSTALLATION

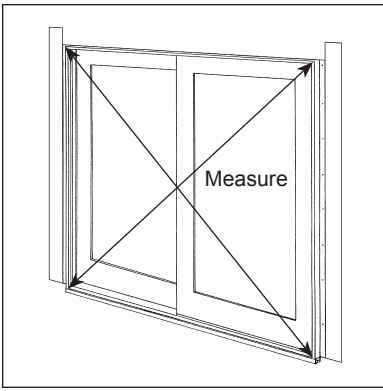
Prefit the door frame in the opening to make sure it fits properly without being forced. Make any adjustments as needed. Remove the door from the opening. Superior recommends a minimum of 9" wide flashing be used around the exterior of the jambs and head. Install jamb flashing the length of the jamb plus approximately 8 1/2" above the top of the opening. (DIAGRAM 2)



2

Apply a high quality exterior grade elastomeric sealant as follows:

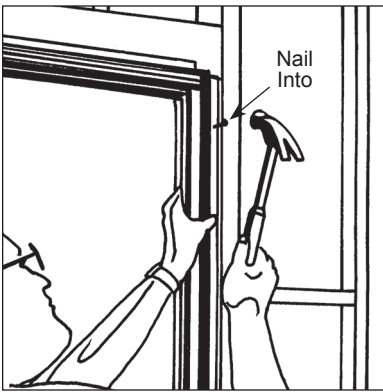
- A) Apply two beads of sealant (3/8" wide) along the entire surface of the sill area and 6" up each jamb. (DIAGRAM 2)
- B) Apply sealant to the back side of the nail-on fins on both the jambs and head. Sealant should be down the center of each piece.



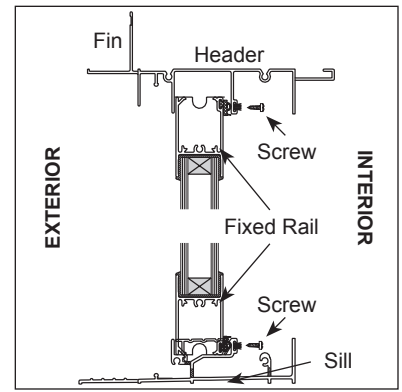
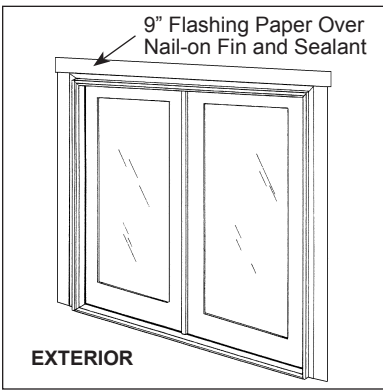
FRAME INSTALLATION CONT

Set the door frame into the opening with the vent side jamb positioned against the stud. Check for square, level and plumb condition and shim as necessary. Check by measuring diagonally from corner to corner (DIAGRAM 3). Measurements should be within 1/8" of each other. Fasten the head and jambs with 1 1/2" 6d galvanized nails as follows. Fasteners should be located between 3" and 6" of each corner, additional fasteners should be located between 12" and 16" on center.

- A) Secure frame by nailing through jamb fins and bending nails over header fin being careful not to bow frame (DIAGRAM 4).
- B) Install #8 x 1 1/2" wood screws in head, CAUTION MUST BE TAKEN NOT TO TIGHTEN SCREWS TOO TIGHT. Fasten door jambs to the studs with #8 x 1 1/2" wood screws. Be sure not to twist or bend jambs.
- C) Seal the exterior edge of the sill to the floor to prevent the possibility of water penetration.

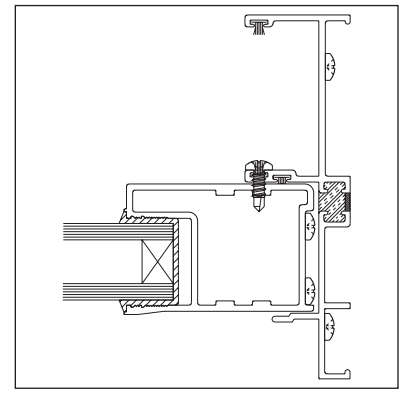


Do not use an automatic nailer. Caution should be made to avoid bowing frame. Apply an additional bead of sealant to the exterior face of the nail-on fin at the door's head. Bead should be over the top of all fasteners. Apply 9" wide flashing above the opening being sure to imbed the flashing in the sealant. Flashing should extend past the door by 10" (DIAGRAM 6).



FIXED PANEL INSTALLATION

- A) From the exterior, lift the fixed panel with the interlock facing inward into the center channel of the head and lower into the sill track (DIAGRAM 7).
- B) Slide panel sideways into the jambs as far as it will go.
- C) Spring threshold cap into sill by inserting jamb end first and pushing downwards at the interlock end. Tap lightly with a rubber mallet to complete snapping action. This will hold the fixed panel in proper position.
- D) Secure fixed panel into jamb by drilling 2 - #6 x 3/8" screws through the leg in the jamb and into the fixed panel (DIAGRAM 8 & 9). WARNING: Be careful not to hit glass.



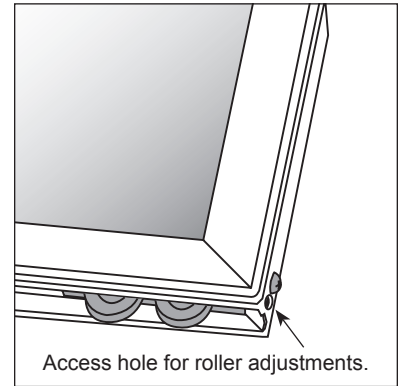
VENT PANEL INSTALLATION

Check and remove any debris that could interfere with the doors operation.

- A) From the interior, lift the vent panel with interlock facing outward into the nearest channel of the head and lower the panel into the sill track. (DIAGRAM 10)
- B) Adjust rollers by inserting phillips screwdriver into the adjustable hole on the interlock and lead stile. Adjust so vent panel is parallel to frame and fixed panel. (DIAGRAM 11)
- C) Insert rubber bumper into header of the vent panel track near the jamb.



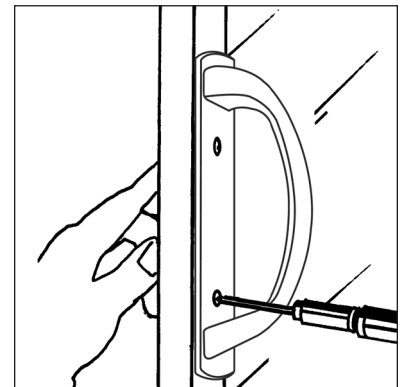
10



11

HANDLE INSTALLATION

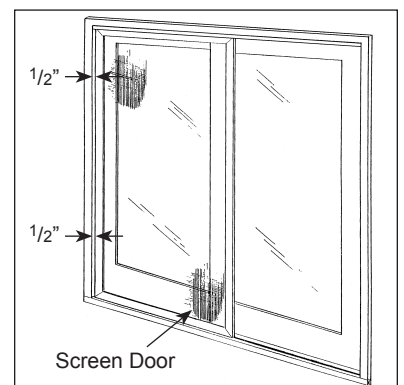
Install the interior handle to the exterior pull by inserting screws through the interior handle and lead stile and screw into the exterior pull (DIAGRAM 12).



12

SCREEN INSTALLATION

From the exterior, lift the screen into the outside channel of the head and lower into the sill track. If necessary, adjust rollers to clear sill. Open the screen so that there is a 1/2" gap vertically between the screen and the door frame (DIAGRAM 13). The space should be the same top to bottom. Adjust the screen rollers as needed to properly align.



13

CHANGING THE SLIDE DIRECTION OF THE DOOR (6⁸ High Doors Only)

with the fixed and vent panel removed from the door frame.

- A) Turn the fixed panel over 180 degrees (end over end). Reinstall it into the frame following FIXED PANEL INSTALLATION.
- B) Remove the rollers from the bottom of the vent panel by backing out the panel corner assembly screw and snapping the roller assemblies out of the bottom rails.
- C) Reinstall the panel corner assembly screws.
- D) Remove the panel corner assembly screws from the opposite end of the panel.
- E) Snap in the roller assemblies making sure they seat into the rail. Reinstall corner assembly screw making sure the screw goes through the keeper hole in the roller assembly.
- F) Install the vent panel (follow VENT PANEL INSTALLATION).
- G) Install screen (follow SCREEN INSTALLATION).

DISCLAIMER

Improper installations of units will reduce their effectiveness, lead to excessive air and water infiltration, condensation, and may promote the deterioration of wall constructions and their respective finishes. Additionally, improper installation of metal units may result in accelerated corrosion of metal frames, trim, anchors, fasteners, and finishes. It is the installer's responsibility to see that the doors are installed properly.

